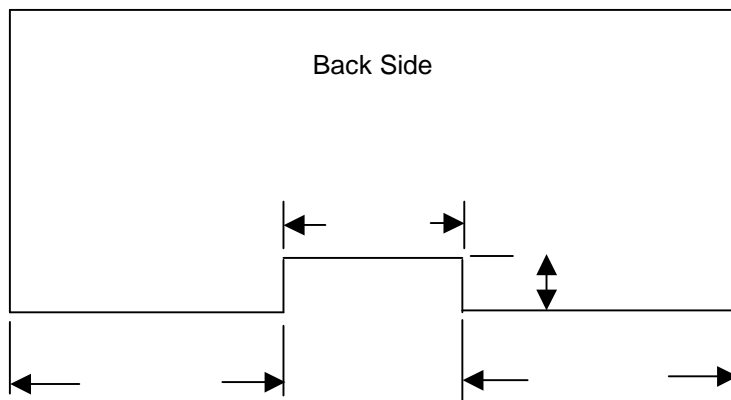


Turntable cut-out PDF form

Simply fill in the blank measurements with your needed dimensions for a quote on any extra cut-out for cords handles, Etc...

E-mail back in PDF file format or fax it to
1-585-547-9804

You can also print and mail to:
JMK Displays Inc.
1237 Broadway
Darien Ctr., NY 14040



If you are looking for cut-outs for handles please specify on this form before sending it.